

1

2

3

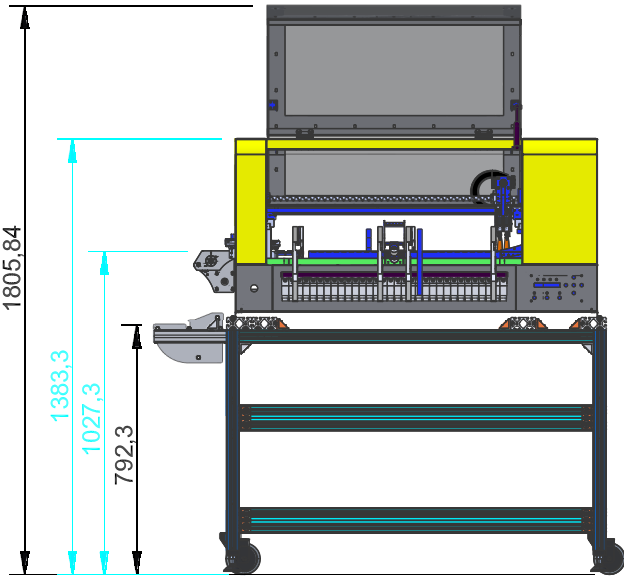
4

5

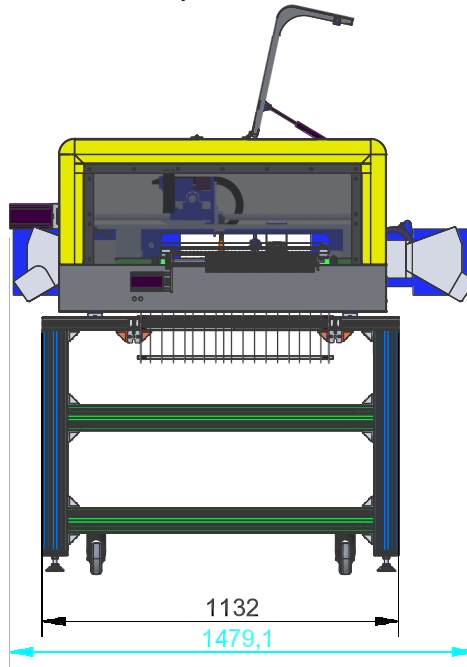
6

RevNo	Revision note		Date	Signature	Checked
-------	---------------	--	------	-----------	---------

A



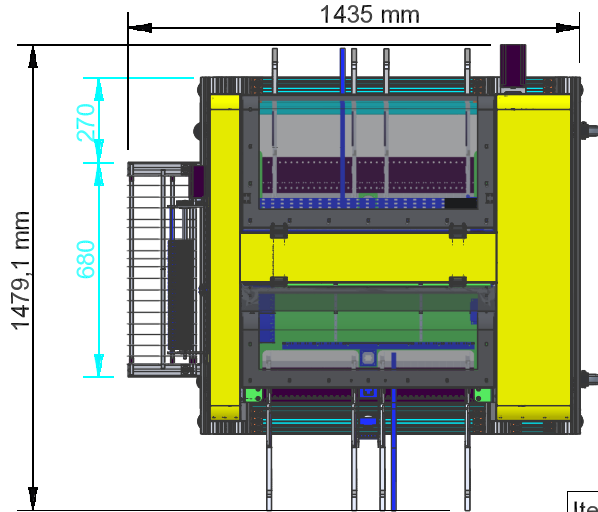
B



A

B

C



C

D

Itemref	Quantity	Title/Name, designation, material, dimension etc			Article No./Reference	
Drawn by Michael Bruch	Checked by	Approved by - date	File name	Date 29.09.2019	Scale 1:31	
VP-2800HP-CL6X space requirement			SMALLSMT			
						1

D

1

2

3

4

5

6