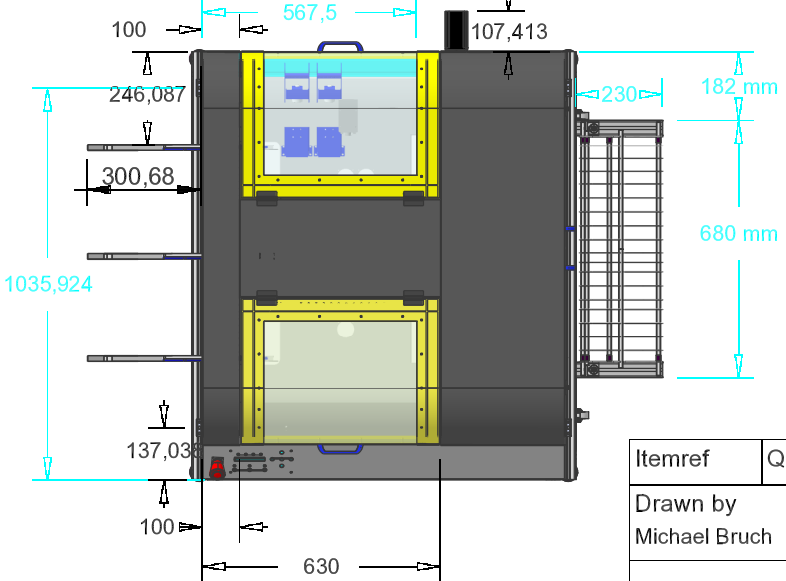
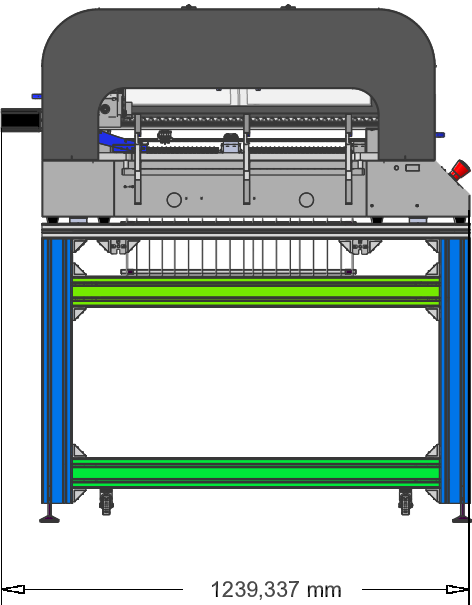
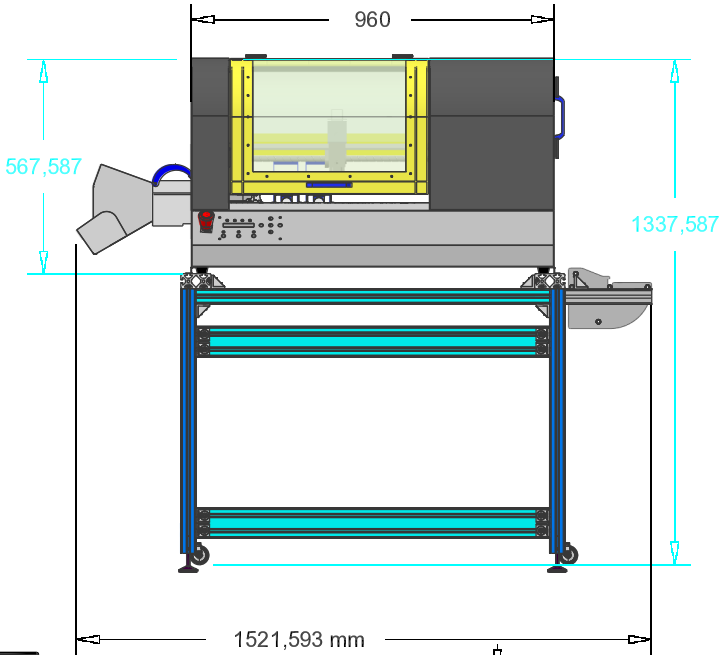


1	2	3	4	5	6
RevNo	Revision note		Date	Signature	Checked



Itemref	Quantity	Title/Name, designation, material, dimension etc			Article No./Reference	
Drawn by Michael Bruch	Checked by	Approved by - date	File name	Date 29.09.2019	Scale 1:15	

SMALLSMT

1	Edition	Sheet 1 von 1
---	---------	------------------